



RAISED TOILET SEAT

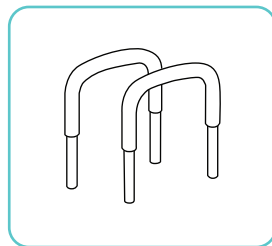
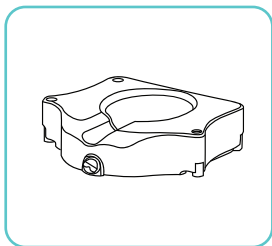
Owner's Manual
LVA1011

OVERVIEW

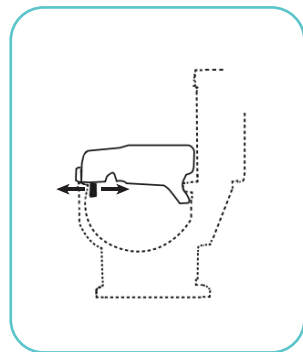
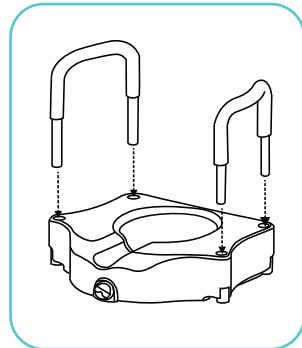
We are constantly answering questions and recording helpful videos to make using your Vive Raised Toilet Seat as easy as possible. Throughout the manual we will include QR codes and links to important videos that you can visit to help you through the process.

WHAT'S INCLUDED

- 1x Raised Toilet Seat
- 2x Padded Removable Armrests



1. To install arms, make sure brass pins are facing away from the toilet seat, push locking pins on arm and insert into mounting tubes. There will be an audible click.
2. Ensure the push pins fully protrude through the holes in the mounting tubes. Make sure arms are locked in place by pulling up on them.
3. To remove arms, reverse the previous steps.
4. Remove toilet seat and lid, and fit the Raised Toilet Seat down onto the top of the toilet bowl. Make sure the lip on the rear of the raised seat fits under the back lip of the toilet bowl.
5. With the raised toilet seat resting correctly on rim, straighten and center product over toilet bowl as necessary. Turn adjusting knob clockwise to tighten product securely in place. Hand tighten only - be careful not to over tighten, as threads on adjustment bracket may strip.
6. Check for secure fit routinely before using product. User's weight should be centered over toilet seat, not too far forward or too far to one side, as unit may tip.



REMOVAL INSTRUCTIONS

1. Rotate knob counter clockwise until seat is loose.
2. Lift front of raised toilet seat and pull forward to move.

WARNING

- Always be sure that the seat is fitted correctly and securely locked in place before using. Improper usage or a poor fit will make the device unstable and could pose a risk to the user.
- Be sure that the adjustment knob in front of the seat is tight at all times, thus securing the seat to the toilet bowl.
- The product is designed for use with the most common types of commodes. It will not fit all commode types: be sure that the unit is correctly installed, fits properly and is stable before use.
- When armrests are installed: The arms are for the purpose of providing assistance when getting on and off the seat. DO NOT try to use the arms to support full body weight during transfer, as this may result in failure of the unit.